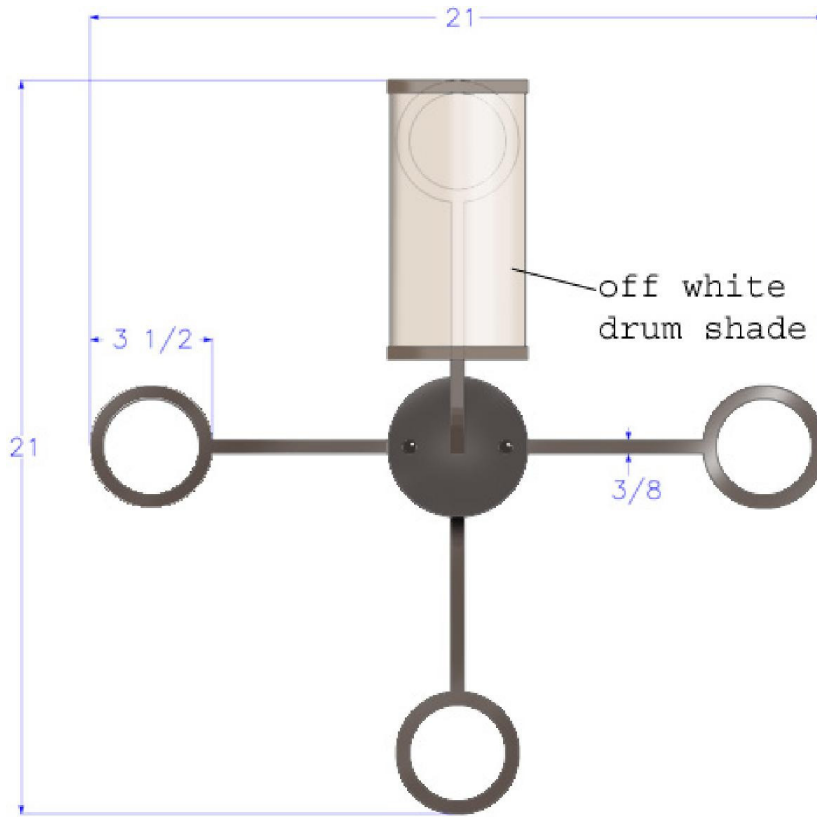
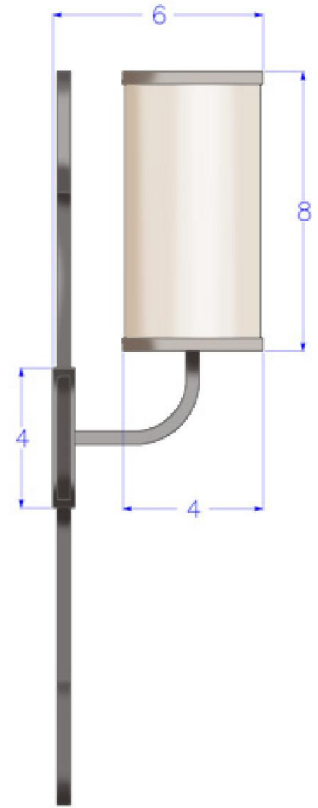


**7795-mb1-ir-s-ba**  
**optional version 4 spoke**  
**Sconce**



FRONT ELEVATION



SIDE ELEVATION



Agoura Hills Newport Beach Dealers Nationwide US & Canada  
818. 597. 9494 t [EcoCA@adgmail.com](mailto:EcoCA@adgmail.com)  
[www.ArchitecturalDetailGroup.com](http://www.ArchitecturalDetailGroup.com)  
[www.GreenHotelLighting.com](http://www.GreenHotelLighting.com)