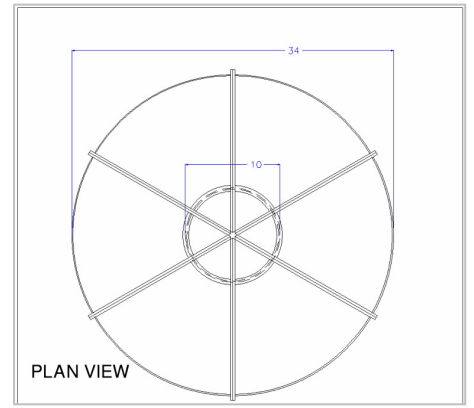
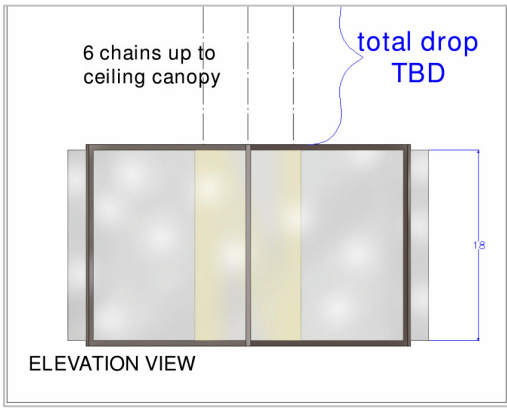


Pendant



76103-mb1-acst
 Ring Mesh & Hanging Pendant
 contemporary light
 shown with oiled bronze finish & milk shade
 34" diameter ±
 Custom Sizes Available

Agoura Hills Newport Beach Dealers Nationwide US & Canada
 818. 597. 9494 t EcoCA@adgmail.com
www.ArchitecturalDetailGroup.com
www.GreenHotelLighting.com
www.adgLighting.com

