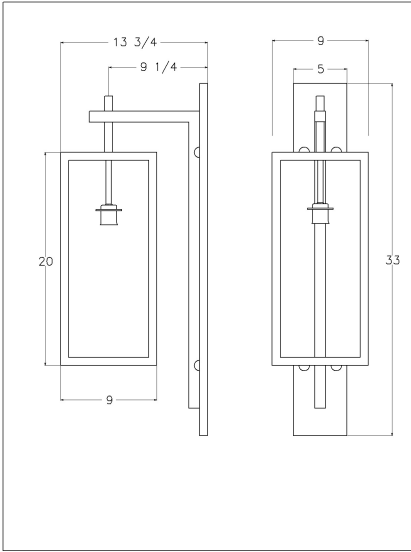


## Lantern



294b-mb1-ir--w-sh

Iron lantern custom sizes available

Agoura Hills Newport Beach Dealers Nationwide US & Canada  
818. 597. 9494 t [EcoCA@adgmail.com](mailto:EcoCA@adgmail.com)  
[www.ArchitecturalDetailGroup.com](http://www.ArchitecturalDetailGroup.com)  
[www.GreenHotelLighting.com](http://www.GreenHotelLighting.com)  
[www.adgLighting.com](http://www.adgLighting.com)

