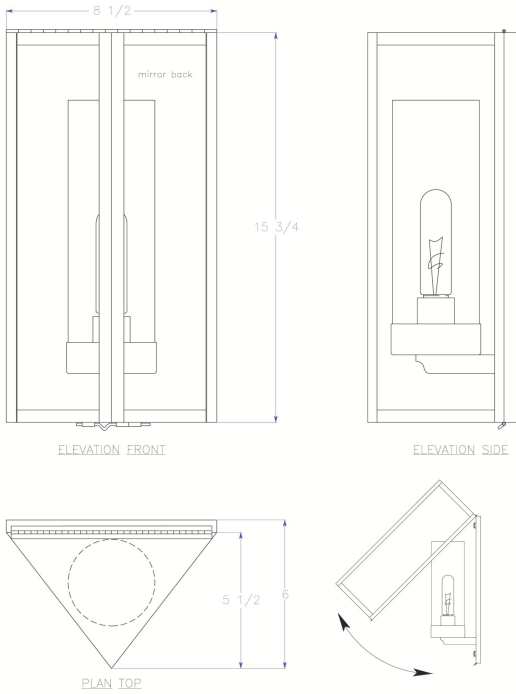


## Lantern



#1000 mb1 br w sh  
triangular light lantern  
available flush & pendant mount  
shown with clear glass & hand seeded cylinder  
shown in Textured-dark Bronze Finish with Mirrored Back-plate  
apx 8" wide - Custom Sizes Available

Agoura Hills Newport Beach Dealers Nationwide US & Canada  
818. 597. 9494 t [EcoCA@adgmail.com](mailto:EcoCA@adgmail.com)  
[www.ArchitecturalDetailGroup.com](http://www.ArchitecturalDetailGroup.com)  
[www.GreenHotelLighting.com](http://www.GreenHotelLighting.com)  
[www.adgLighting.com](http://www.adgLighting.com)