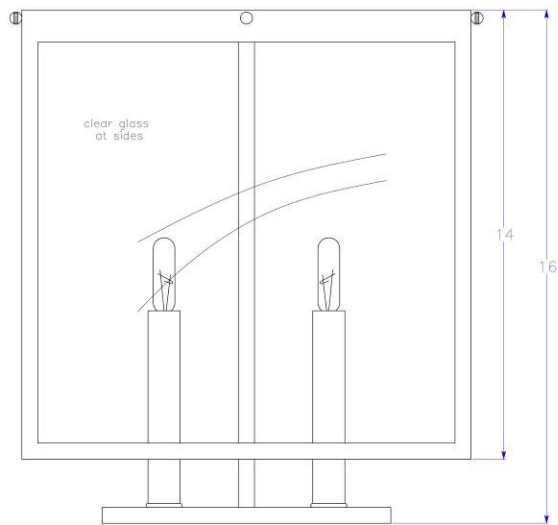
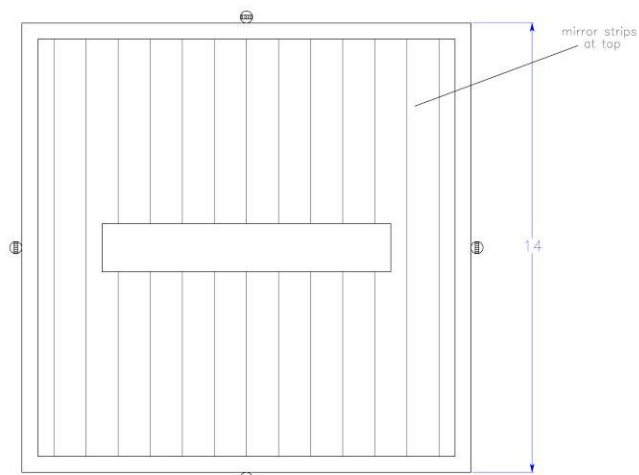




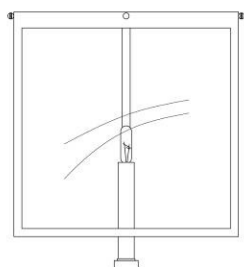
Custom box Ceiling flush



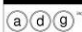
ELEVATION FRONT



PLAN BOTTOM



ELEVATION SIDE  
half scale

	
DESC: Powder Bath Ceiling Flush	
DIM: 14"W x 14"L x 16HT.	
DWG APPROVED BY:	Qty: 1
BY: jg	SCALE: 1" = 1" DATE: 2-06-14