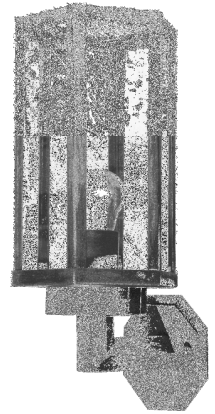
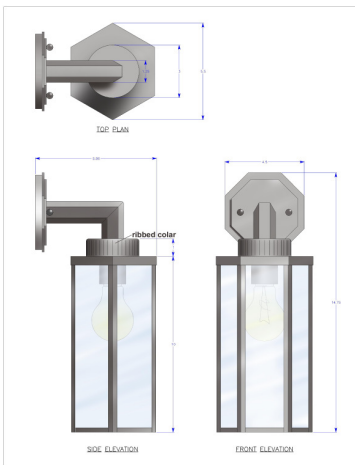


## Lantern



# 657-mb1-ir-w-ba

~

Transitional Lantern

shown clear glass exterior use in either up or down

Medium base socket or LED available ~ title 24

Can be used Exterior or Interior

Custom Sizes & Materials Available

Agoura Hills Newport Beach Dealers Nationwide US & Canada  
818. 597. 9494 t [EcoCA@adgmail.com](mailto:EcoCA@adgmail.com)  
[www.ArchitecturalDetailGroup.com](http://www.ArchitecturalDetailGroup.com)  
[www.GreenHotelLighting.com](http://www.GreenHotelLighting.com)  
[www.adgLighting.com](http://www.adgLighting.com)

