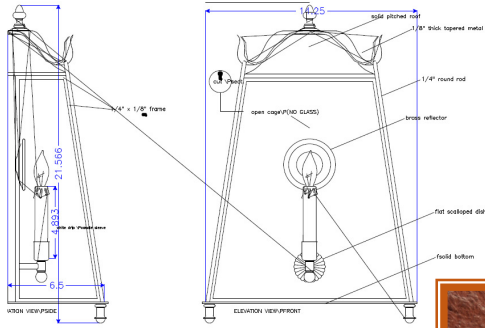


Lantern



2086-cb2-ir-w-ba

Bar-stock iron lantern ~ 21" oah x 11 " w
 ~ Shown with no glass ~ patina green Finish ~
 Custom Sizes & Materials Available
 Available in title 24 LED

Agoura Hills Newport Beach Dealers Nationwide US & Canada
 818. 597. 9494 t EcoCA@adgmail.com
www.ArchitecturalDetailGroup.com
www.GreenHotelLighting.com
www.adgLighting.com

