

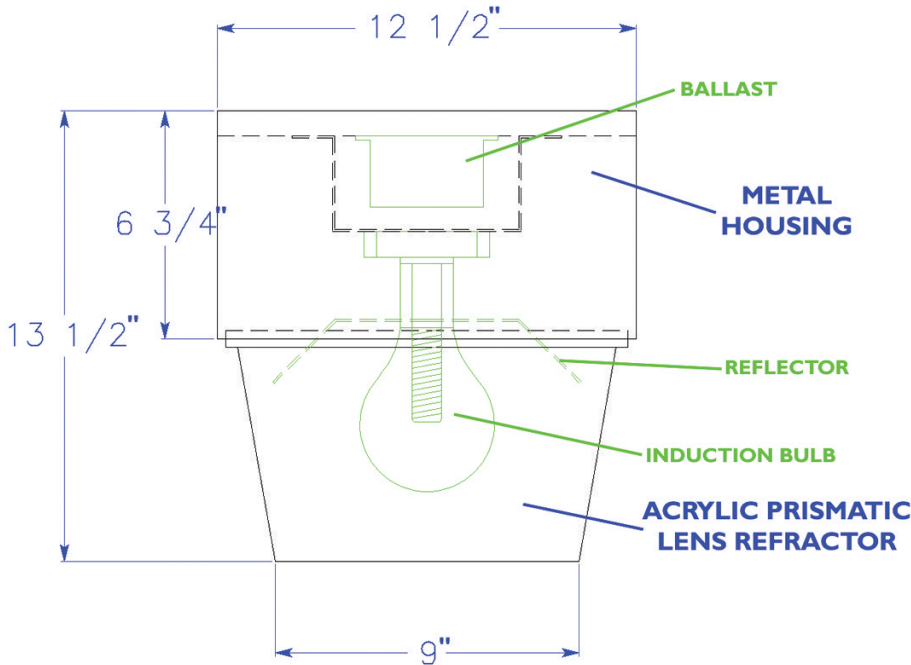
## GARAGE ROUND FIXTURE

**NOTE: FIXTURE AVAILABLE AS CEILING FLUSH (PICTURED) OR AS DROP PENDANT MOUNT**

- AVAIL. IN 40WATT OR 70 WATT
- AVAIL. IN BRONZE (std) AND WHITE FINISH
- 5000 K

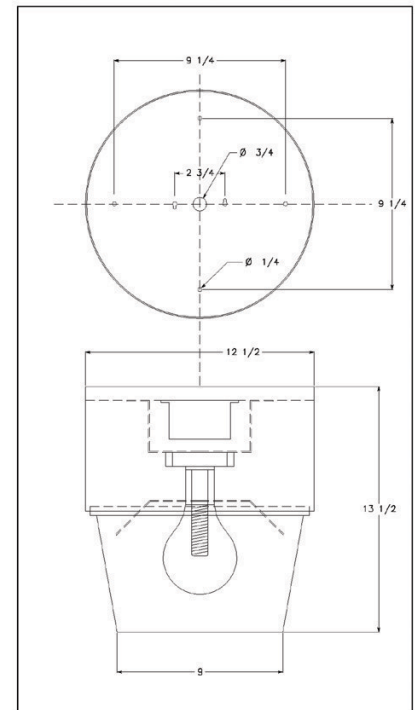
### Application

- Parking Garage*
- Gas Station*
- Drive Thru*
- Fast Food Restaurant*
- Outside Applications Etc.*



## ADG ECO INDUCTION LIGHT SYSTEMS MUST FOLLOW THESE SPECIFICATIONS:

- AMERICAN MADE LIGHT FIXTURE
- ENERGY STAR PARTNER
- 10 YEAR LIMITED WARRANTY
- 100,000 HR. BULB LIFE
- 100-277v 80-85 CRI
- AVAILABLE THROUGH ADG ECO AUTHORIZED RESELLER OR FACTORY
- FIXTURES ETL WET LISTED
- UL COMPLIANT ELECTRONICS
- PROVIDE HIGH QUALITY LIGHT DISTRIBUTION
- FIXTURES MUST COMPLY WITH THE FOLLOWING...



North America Industry Standard

The European Community

ISO 14001

USA Federal Communications Commission

ISO9001

North America Industry Standard

High Energy Efficient Equipment Label