

# Acrylic Dome Hi-bay 16''

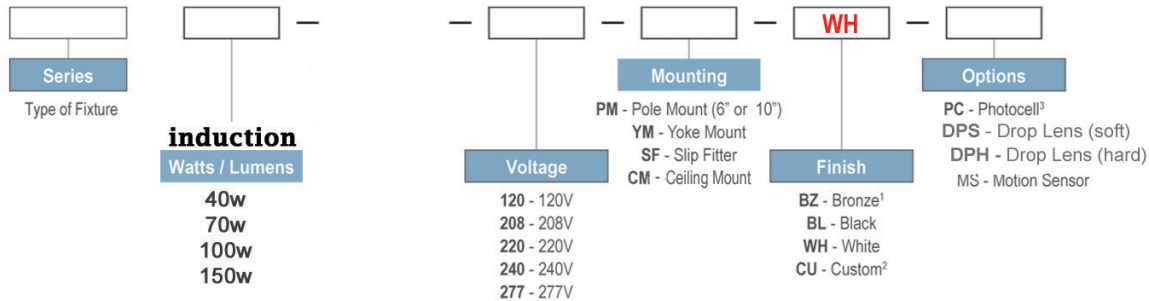
shown with open bottom, bottom lens also available



**Ordering Specifications:**

## APPLICATION

- Warehouse**
- Parking Structures**
- Factories**
- Gyms**



## ADG ECO INDUCTION LIGHT SYSTEMS MUST FOLLOW THESE SPECIFICATIONS:

- AMERICAN MADE LIGHT FIXTURE
- ENERGY STAR PARTNER
- 10 YEAR LIMITED WARRANTY
- 100,000 HR. BULB LIFE
- 100-277v 80-85 CRI
- AVAILABLE THROUGH ADG ECO AUTHORIZED RESELLER OR FACTORY
- FIXTURES ETL WET LISTED
- UL COMPLIANT ELECTRONICS
- PROVIDE HIGH QUALITY LIGHT DISTRIBUTION
- FIXTURES MUST COMPLY WITH THE FOLLOWING...

