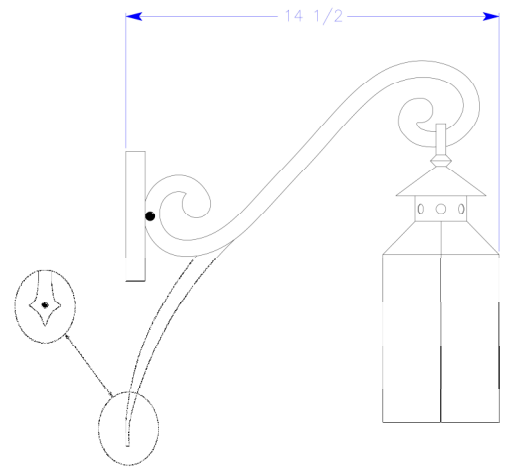
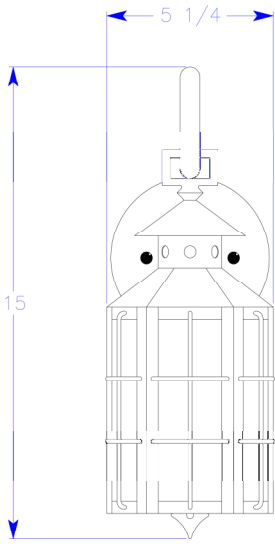


Lantern



#930-mb1-jc-w-ba
iron lantern
shown with crushed glass
Blackened Finish

6" wide ~ Custom Sizes & Materials Available

Agoura Hills Newport Beach Dealers Nationwide US & Canada
818. 597. 9494 t EcoCA@adgmail.com
www.ArchitecturalDetailGroup.com
www.GreenHotelLighting.com
www.adgLighting.com

