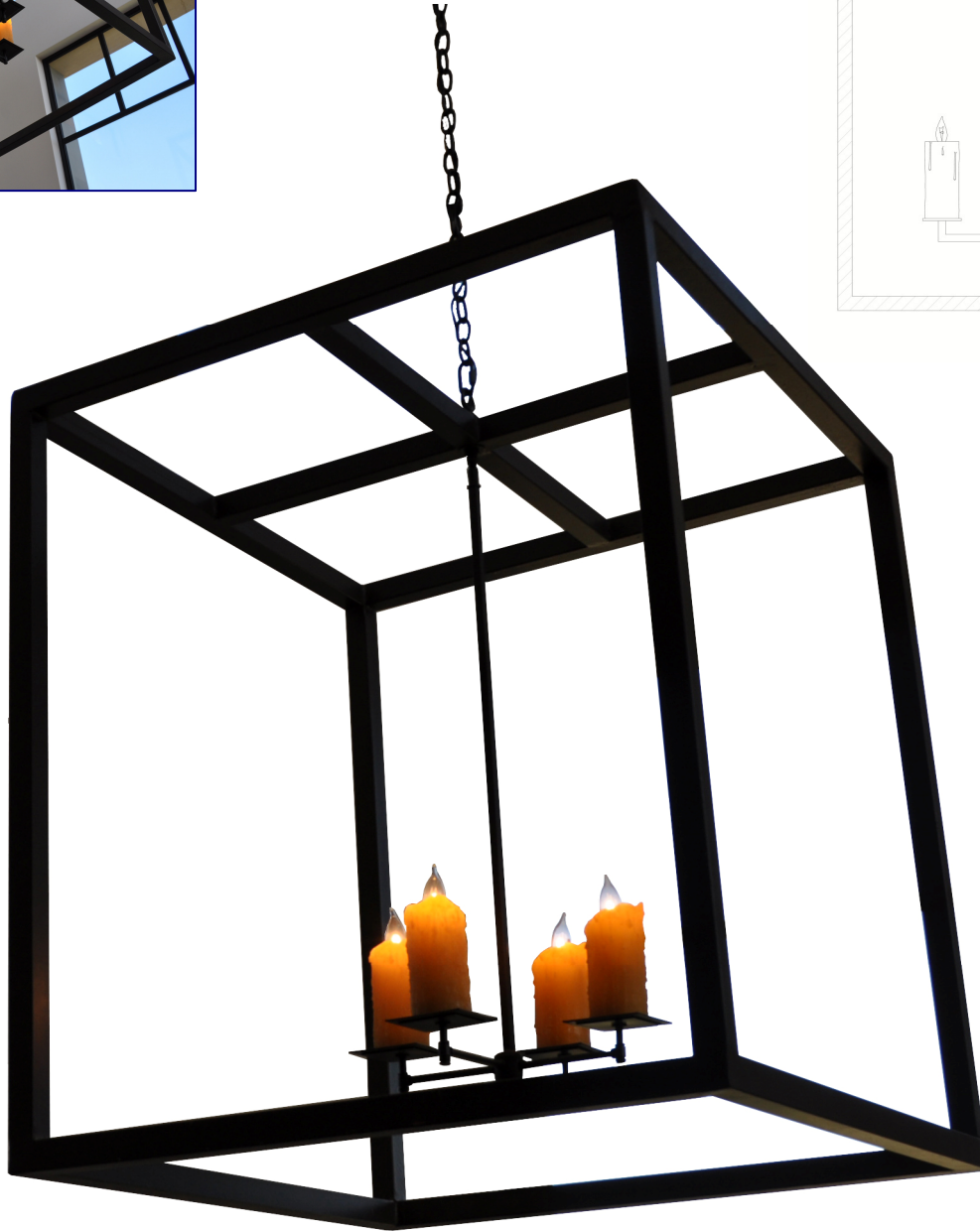
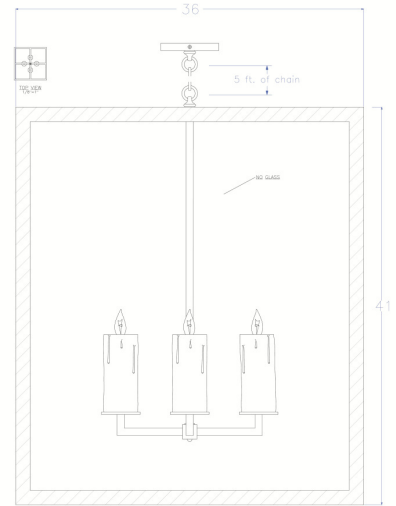




Lantern



#2018 -mb4-st-ba
Bar- iron pendant modern & transitional lantern
shown with 'no glass
Bronze Fleck True Oxidized Finish
36" sq x 41" h ~ Custom Sizes Available

Agoura Hills Newport Beach Dealers Nationwide US & Canada
818. 597. 9494 t EcoCA@adgmail.com
www.ArchitecturalDetailGroup.com
www.GreenHotelLighting.com
www.adgLighting.com

