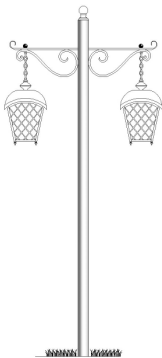
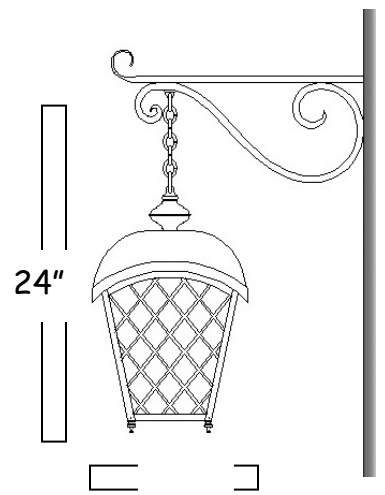


Lantern



185-mb1-jc-p-sh

Lantern on Decorative Forged Arm
Shown with Leaded Baroque Glass
& Bronze Powder-Coat Finish

~ 12" wide ~

Customizable sizes available
Available in Solid Brass

Agoura Hills Newport Beach Dealers Nationwide US & Canada
818. 597. 9494 t EcoCA@adgmail.com
www.ArchitecturalDetailGroup.com
www.GreenHotelLighting.com
www.adgLighting.com





Lantern

Agoura Hills Newport Beach Dealers Nationwide US & Canada
818. 597. 9494 t EcoCA@adgmail.com
www.ArchitecturalDetailGroup.com
www.GreenHotelLighting.com
www.adgLighting.com

