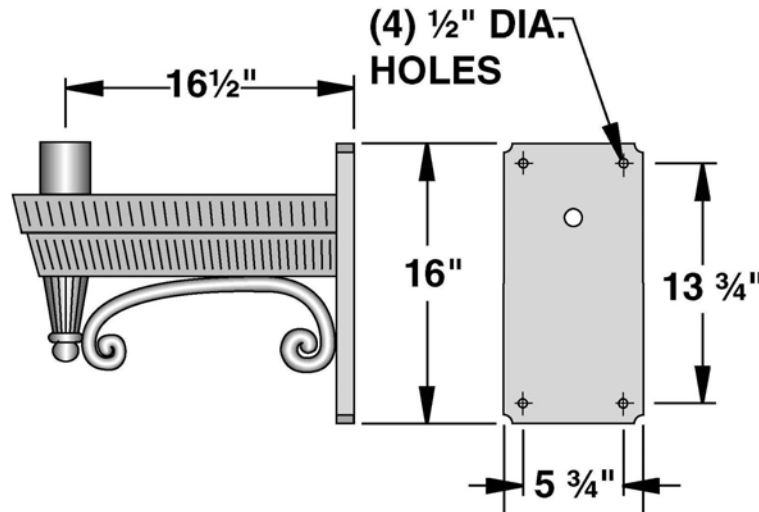
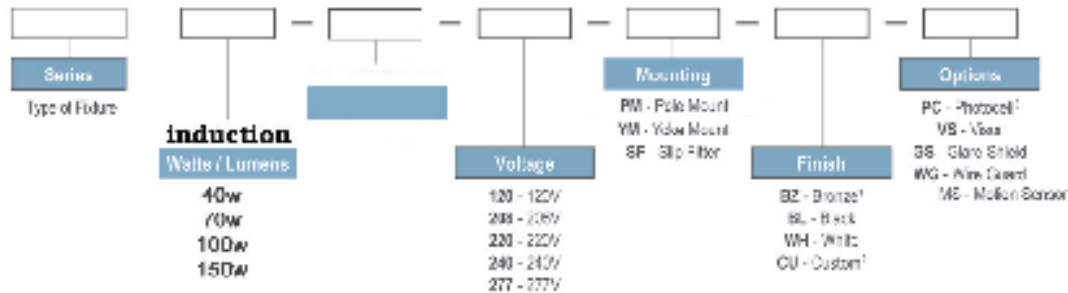


# Arm for Acorn mount or Lantern

## APPLICATION



### Ordering Specifications:



## ADG ECO INDUCTION LIGHT SYSTEMS MUST FOLLOW THESE SPECIFICATIONS:

- AMERICAN MADE LIGHT FIXTURE
- ENERGY STAR PARTNER
- 10 YEAR LIMITED WARRANTY
- 100,000 HR. BULB LIFE
- 100-277v 80-85 CRI
- AVAILABLE THROUGH ADG ECO AUTHORIZED RESELLER OR FACTORY
- FIXTURES ETL WET LISTED
- UL COMPLIANT ELECTRONICS
- PROVIDE HIGH QUALITY LIGHT DISTRIBUTION
- FIXTURES MUST COMPLY WITH THE FOLLOWING...



ETL LISTED  
www.ETL.org

The European  
Conformity

ENERGY STAR  
www.energystar.gov

FEDERAL COMMUNICATIONS  
COMMISSION  
www.fcc.gov

KAB  
www.kab.com

UL LISTED  
www.ul.com

ENERGY STAR  
www.energystar.gov