

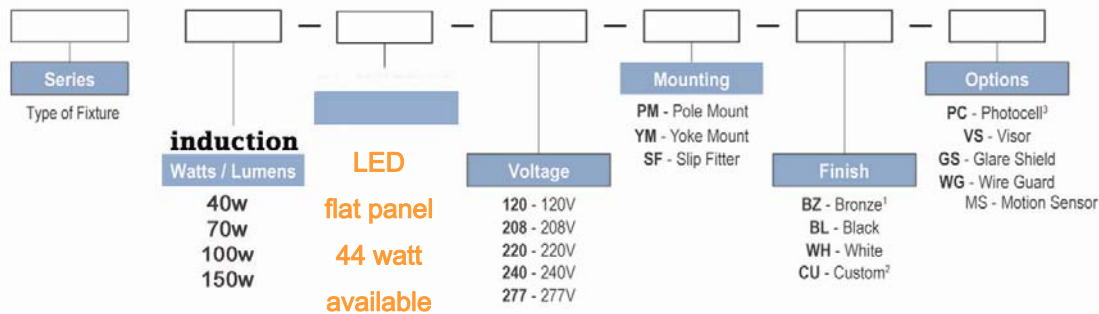


**APPLICATION**

- Building
- Parking lot
- Signs
- Residential green belt
- Hotel
- Industrial

- Wet Location
- Die-cast Aluminum Powder coat finish
- Silicone rubber
- High impact resistant tempered glass
- ADG-eco specialty reflector
- 11" x 13" x 9"

**Ordering Specifications:**



**ADG ECO INDUCTION LIGHT SYSTEMS MUST FOLLOW THESE SPECIFICATIONS:**

- AMERICAN MADE LIGHT FIXTURE
- ENERGY STAR PARTNER
- 10 YEAR LIMITED WARRANTY
- 100,000 HR. BULB LIFE
- 100-277v 80-85 CRI
- AVAILABLE THROUGH ADG ECO AUTHORIZED RESELLER OR FACTORY
- FIXTURES ETL WET LISTED
- UL COMPLIANT ELECTRONICS
- PROVIDE HIGH QUALITY LIGHT DISTRIBUTION
- FIXTURES MUST COMPLY WITH THE FOLLOWING...

